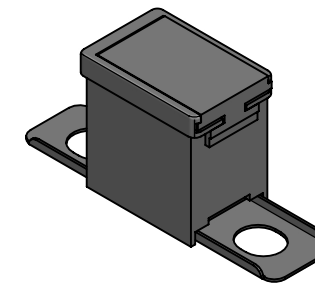
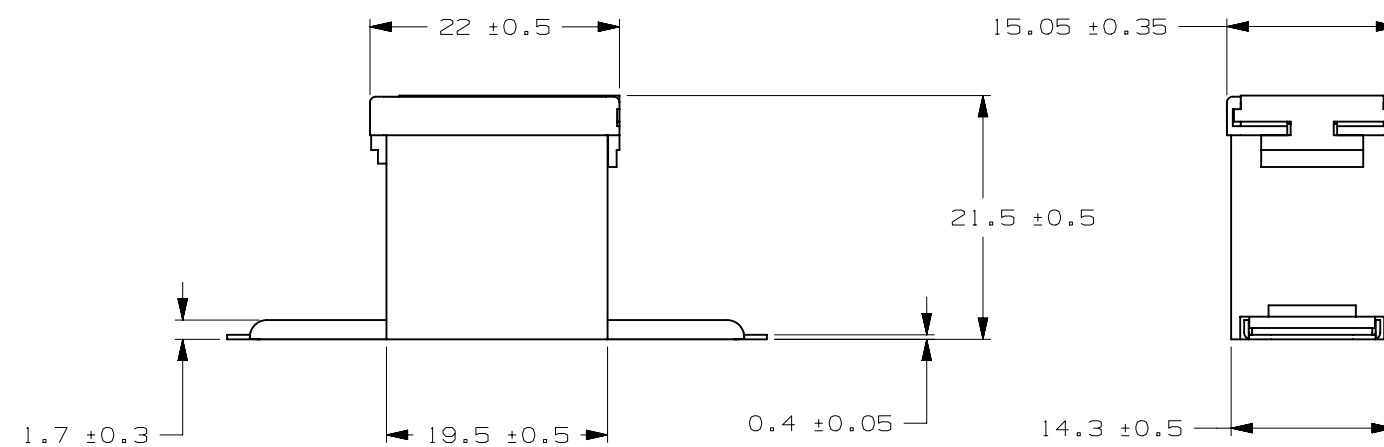
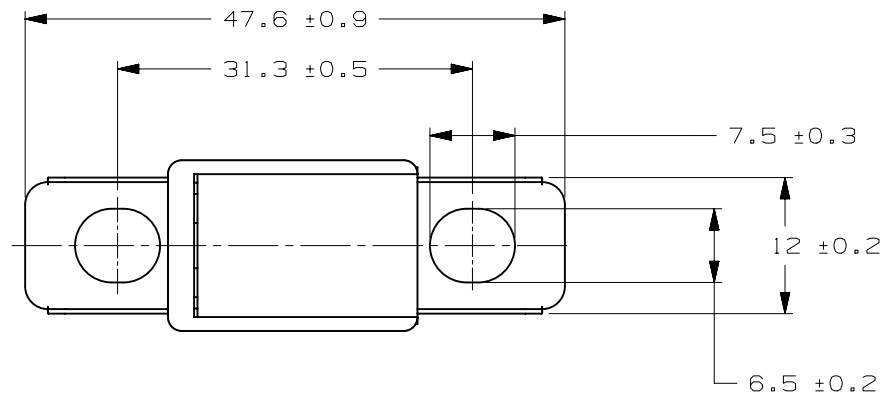


CURRENT RATE [A]	VERSIONS AND PART NUMBERS
30	0283030.MXJ-B
40	0283040.MXJ-B
50	0283050.MXJ-B
60	0283060.MXJ-B
70	0283070.MXJ-B
80	0283080.MXJ-B
100	0283100.MXJ-B
120	0283120.MXJ-B

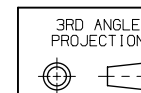
LTR	DATE	REVISION	DRW
A	11/FEB/23	526175GCA - INITIAL RELEASE	OPL



ISOMETRIC VIEW



PAL FUSE 283-B 32V						
TERMINAL MATERIAL:	COPPER ALLOY					
TERMINAL PLATING:	NONE					
HOUSING MATERIAL:	30A-70A: PA66 GF33 80A-120A: PET GF30					
COVER MATERIAL:	30A-70A: PC/TRANSPARENT 80A-120A: PES/TRANSPARENT					
LINEAR DIMENSIONS				ANGLES	RADII	
DIM	.5 - 6	6 - 30	30 - 120	120 - 400	±0.5°	±0.2
TOL	±0.1	±0.2	±0.3	±0.5		



REVISION
A

DRWG. NO.
WEB-0283000.MXJ-B