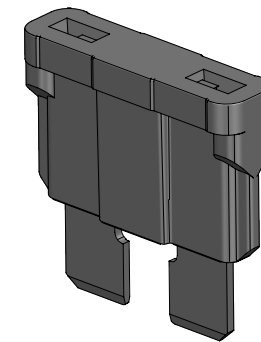
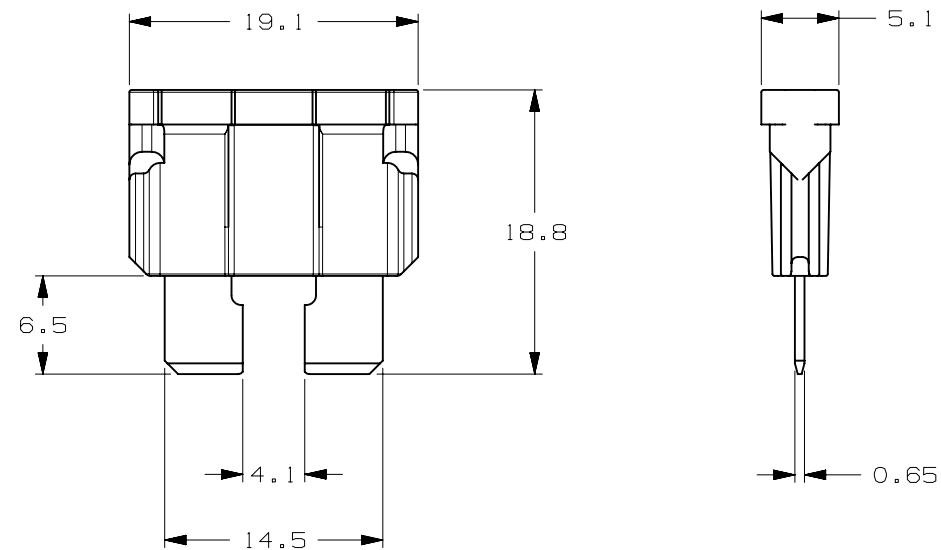


VERSIONS AND PART NUMBERS		
CURREN RATE [A]	ATOF	ATOF (SILVER PLATED)
1	0287001.PXCN	0287001.PXS
2	0287002.PXCN	0287002.PXS
3	0287003.PXCN	0287003.PXS
4	0287004.PXCN	0287004.PXS
5	0287005.PXCN	0287005.PXS
7.5	0287007.5PXCN	0287007.5PXS
10	0287010.PXCN	0287010.PXS
15	0287015.PXCN	0287015.PXS
20	0287020.PXCN	0287020.PXS
25	0287025.PXCN	0287025.PXS
30	0287030.PXCN	0287030.PXS
35	0287035.PXCN	0287035.PXS
40	0287040.PXCN	0287040.PXS

LTR	DATE	REVISION	DRW
A	01/FEB/23	526135GCA - INITIAL RELEASE	OPL



ISOMETRIC VIEW



ATO 32V						
TERMINAL MATERIAL:	ZINC					
TERMINAL PLATING:	PXCN: TIN PXS: SILVER					
HOUSING MATERIAL:	PA66 (U.L. 94 FLAMMABILITY RATING - V2)					
LINEAR DIMENSIONS					ANGLES	RADII
DIM	.5 - 6	6 - 30	30 - 120	120 - 400	±0.5°	±0.2
TOL	±0.1	±0.2	±0.3	±0.5		
3RD ANGLE PROJECTION		Littelfuse		REVISION	DRWG. NO.	
		CHICAGO, USA 773-628-1000		A	WEB-0287000.PX	