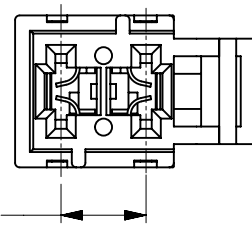
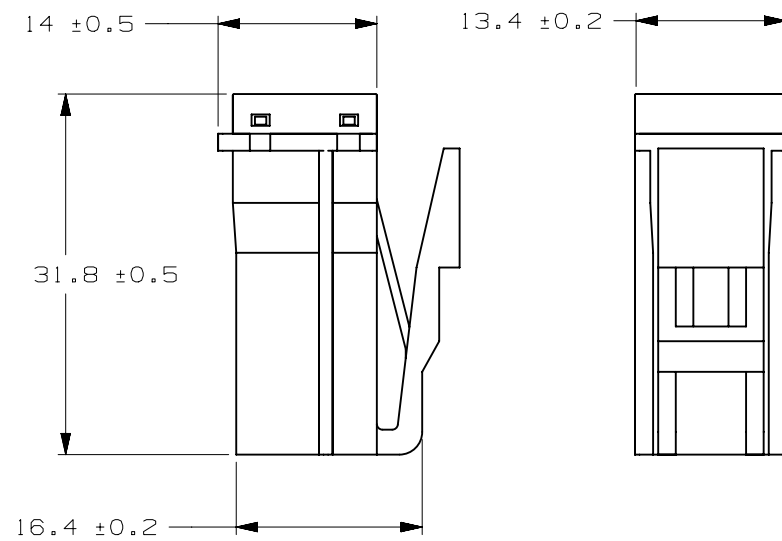
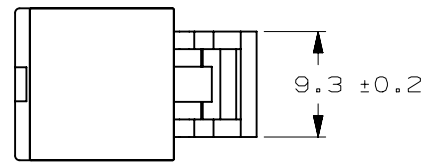


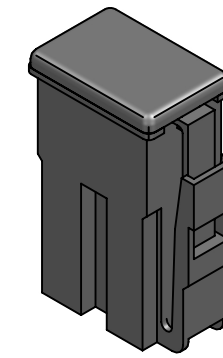
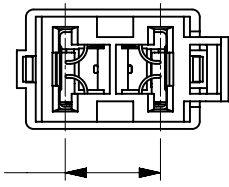
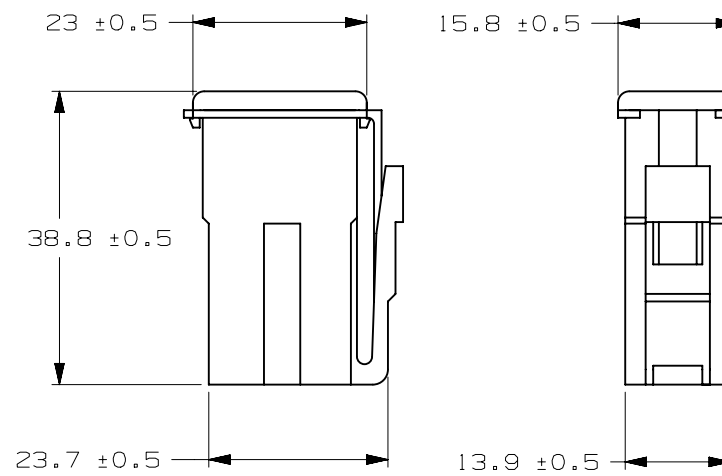
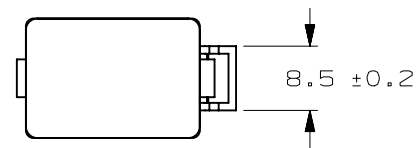
CURRENT RATE [ A ]	VERSIONS AND PART NUMBERS
25	0293525.MXJ
30	0293530.MXJ
45	0293545.MXJ
65	0293565.MXJ
75	0293575.MXJ

LTR	DATE	REVISION	DRW
A	11/FEB/23	526175GCA - INITIAL RELEASE	OPL

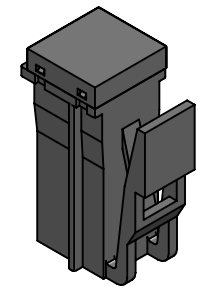
**25A TO 30A**



**45A TO 75A**



ISOMETRIC VIEW  
25A TO 30A



ISOMETRIC VIEW  
45A TO 75A

PAL FUSE 2935 32V						
TERMINAL MATERIAL:	COPPER ALLOY					
TERMINAL PLATING:	NONE					
HOUSING MATERIAL:	NY PA66 GF33					
COVER MATERIAL:	PC/TRANSPARENT					
LINEAR DIMENSIONS					ANGLES	RADII
DIM	.5 - 6	6 - 30	30 - 120	120 - 400	±0.5°	±0.2
TOL	±0.1	±0.2	±0.3	±0.5		
3RD ANGLE PROJECTION		Littelfuse®		REVISION	DRWG. NO.	
		CHICAGO, USA 773-628-1000		A	WEB-0293500.MXJ	