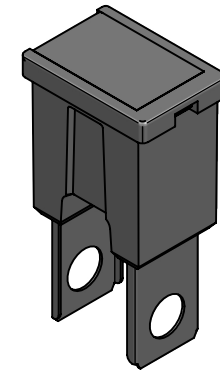
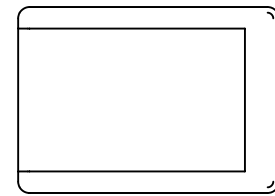
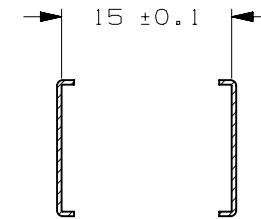
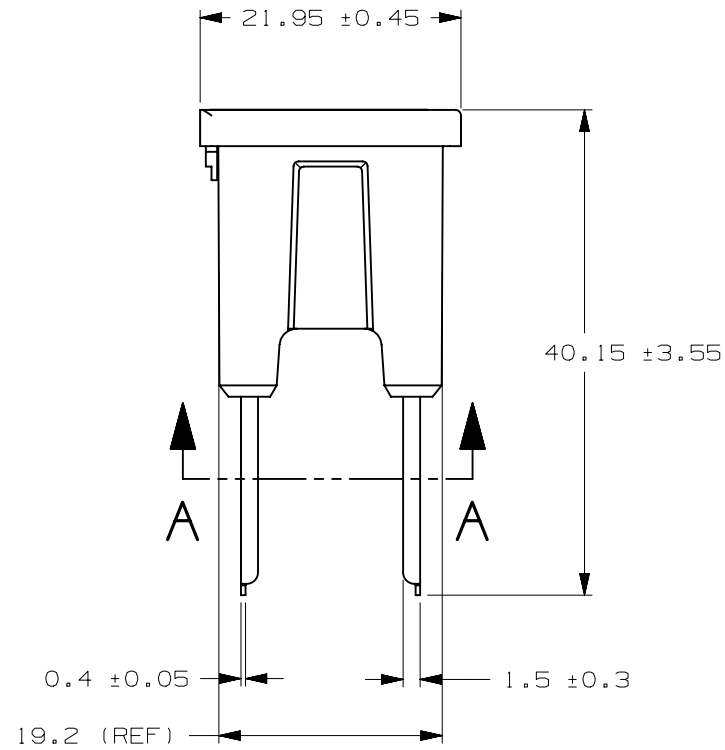
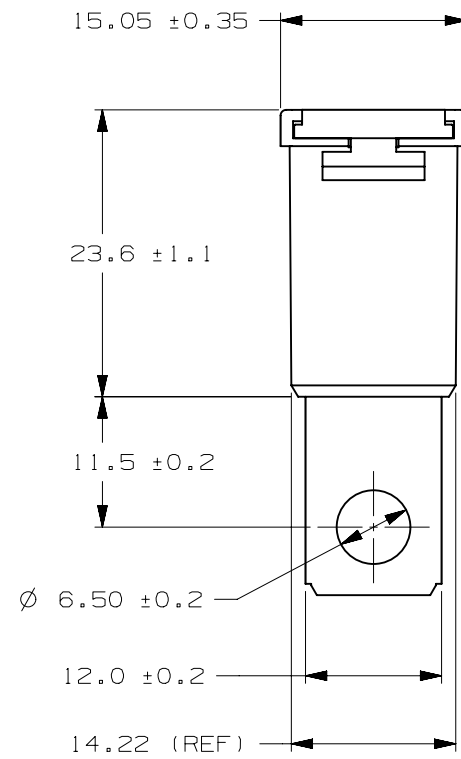


CURRENT RATE [A]	VERSIONS AND PART NUMBERS
50	0294050.MXJ-C
60	0294060.MXJ-C
80	0294080.MXJ-C
100	0294100.MXJ-C
120	0294120.MXJ-C

LTR	DATE	REVISION	DRW
A	11/FEB/23	526175GCA - INITIAL RELEASE	OPL



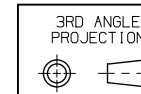
ISOMETRIC VIEW



SECTION A - A

PAL FUSE 294C 32V	
TERMINAL MATERIAL:	COPPER ALLOY
TERMINAL PLATING:	NONE
HOUSING MATERIAL:	50A-60A: PA66 GF33 80A-120A: PET GF30
COVER MATERIAL:	50A-60A: PC/TRANSPARENT 80A-120A: PES/TRANSPARENT

DIM	LINEAR DIMENSIONS				ANGLES	RADI
	.5 - 6	6 - 30	30 - 120	120 - 400		
TOL	±0.1	±0.2	±0.3	±0.5	±0.5°	±0.2



REVISION	DRWG. NO.
A	WEB-0294000.MXJ-C