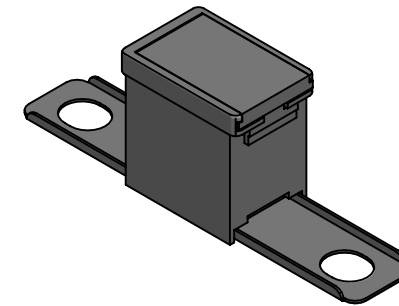
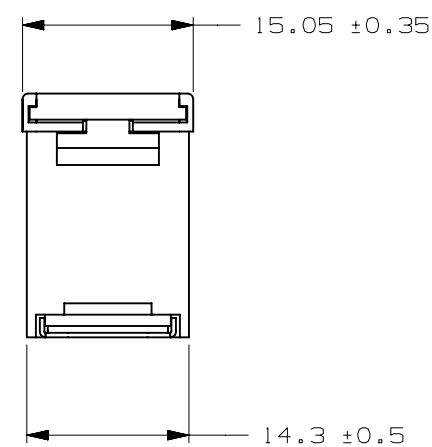
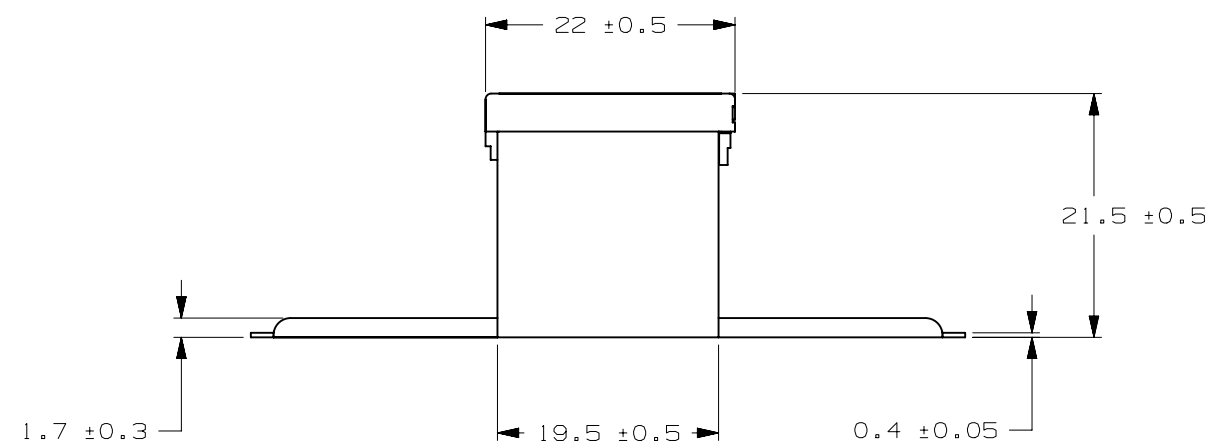
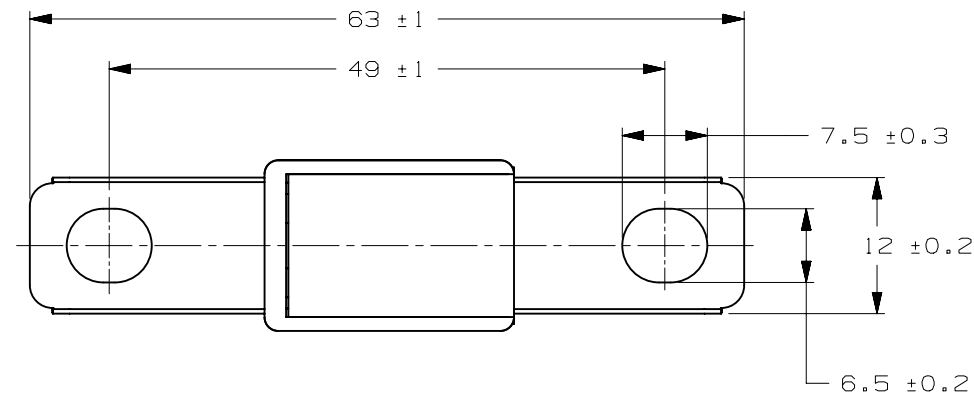


CURRENT RATE [A]	VERSIONS AND PART NUMBERS
30	0295030.MXJ
40	0295040.MXJ
50	0295050.MXJ
60	0295060.MXJ
70	0295070.MXJ
80	0295080.MXJ
100	0295100.MXJ
120	0295120.MXJ
140	0295140.MXJ

LTR	DATE	REVISION	DRW
A	11/FEB/23	526175GCA - INITIAL RELEASE	OPL

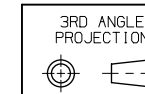


ISOMETRIC VIEW



PAL FUSE 295 32V	
TERMINAL MATERIAL:	COPPER ALLOY
TERMINAL PLATING:	NONE
HOUSING MATERIAL:	30A-70A: PA66 GF33 80A-140A: PET GF 30
COVER MATERIAL:	30A-60A: PC/TRANSPARENT 80A-140A: PES/TRANSPARENT

DIM	LINEAR DIMENSIONS				ANGLES	RADI
	.5 - 6	6 - 30	30 - 120	120 - 400		
TOL	±0.1	±0.2	±0.3	±0.5	±0.5°	±0.2



REVISION
A

DRWG. NO.
WEB-0295000.MXJ