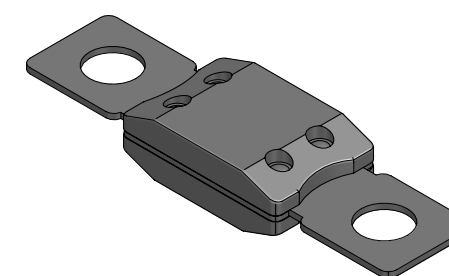
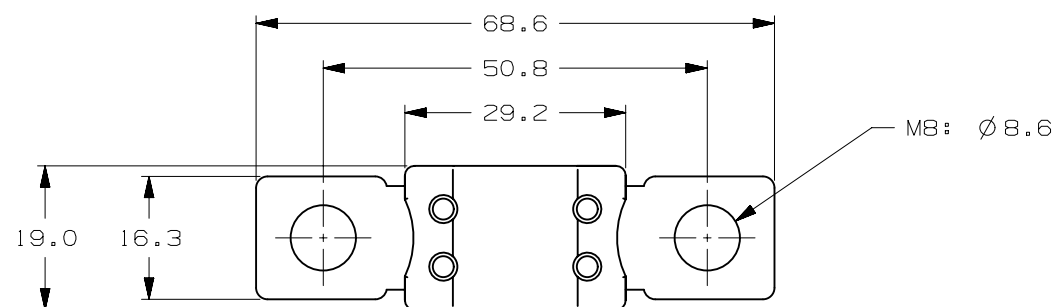
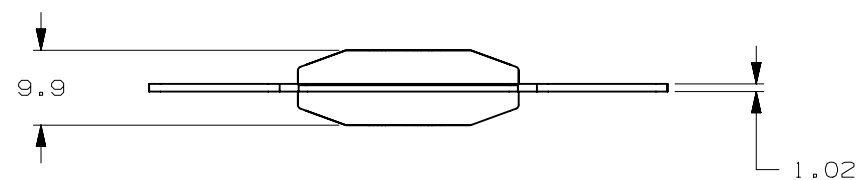


CURRENT RATE [A]	VERSIONS AND PART NUMBERS
	M6 2 HOLES
80	0298080.ZXEH-UL
100	0298100.ZXEH-UL
125	0298125.ZXEH-UL
150	0298150.ZXEH-UL
175	0298175.ZXEH-UL

LTR	DATE	REVISION	DRW
A	01/FEB/23	526136GCA - INITIAL RELEASE	OPL



ISOMETRIC VIEW



MEGA UL 32V (SF51)					
TERMINAL MATERIAL:	COPPER				
TERMINAL PLATING:	NONE				
HOUSING MATERIAL:	PPA-GF30FR (U.L. 94 FLAMMABILITY RATING - V0)				
LINEAR DIMENSIONS				ANGLES	RADII
DIM	.5 - 6	6 - 30	30 - 120	120 - 400	±0.5° ±0.2
TOL	±0.1	±0.2	±0.3	±0.5	
3RD ANGLE PROJECTION		Littelfuse®		REVISION	DRWG. NO.
		CHICAGO, USA 773-628-1000		A	WEB-0298000.ZXEH-UL