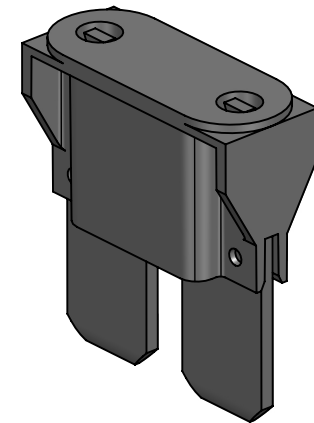
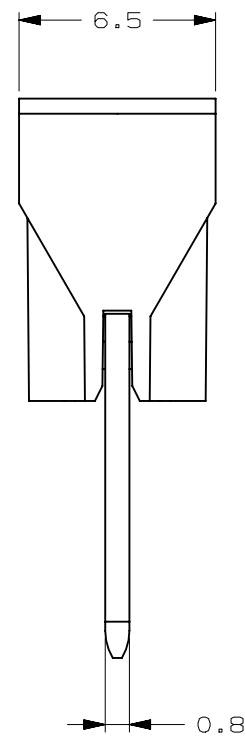
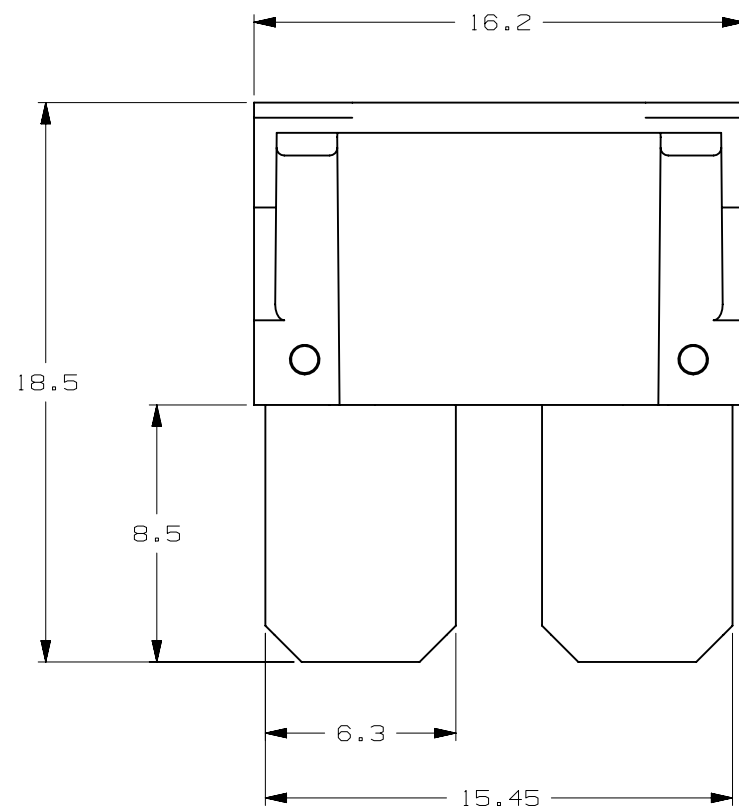


VERSIONS AND PART NUMBERS	
CURRENT RATE [A]	MAXI+
20	0899020.Z
25	0899025.Z
30	0899030.Z
35	0899035.Z
40	0899040.Z
50	0899050.Z
60	0899060.Z

LTR	DATE	REVISION	DRW
A	01/FEB/23	526135GCA - INITIAL RELEASE	OPL



ISOMETRIC VIEW



MAXI+ 32V					
TERMINAL MATERIAL:	ZINC ALLOY				
TERMINAL PLATING:	SILVER				
HOUSING MATERIAL:	PA66 (U.L. 94 FLAMMABILITY RATING V-2)				
LINEAR DIMENSIONS				ANGLES	RADII
DIM	.5 - 6	6 - 30	30 - 120	120 - 400	±0.5° ±0.2
TOL	±0.1	±0.2	±0.3	±0.5	
3RD ANGLE PROJECTION		Littelfuse®		REVISION	DRWG. NO.
		CHICAGO, USA 773-628-1000		A	WEB-0899000.Z