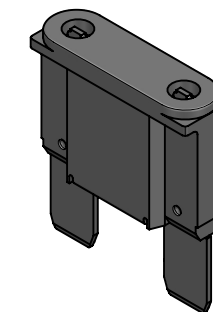
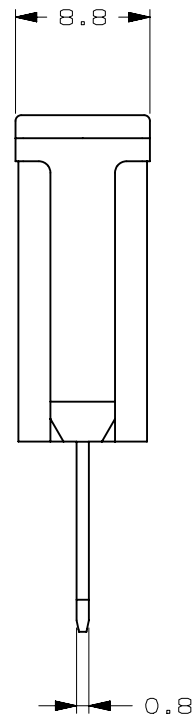
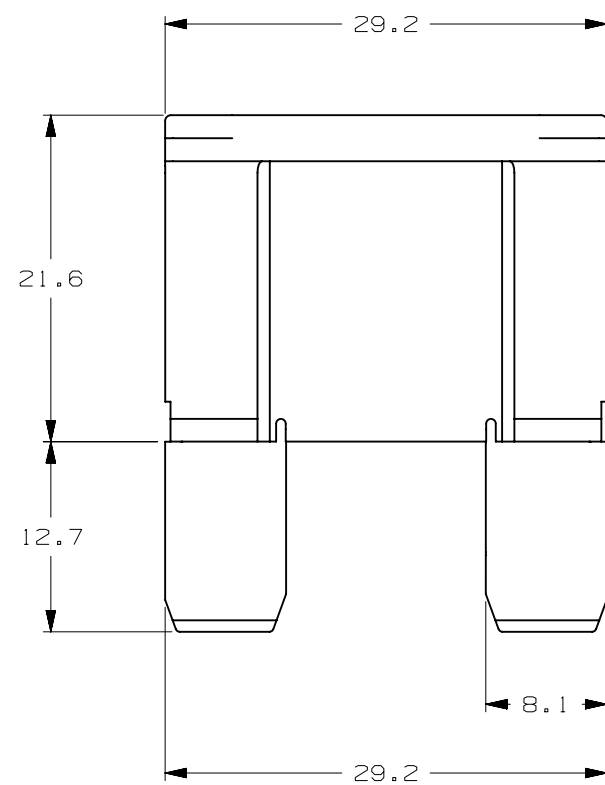


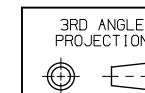
| CURREN RATE [A] | VERSIONS AND PART NUMBERS MAXI |
|----------------------|-----------------------------------|
| 20 | 0999020.ZXN |
| 25 | 0999025.ZXN |
| 30 | 0999030.ZXN |
| 35 | 0999035.ZXN |
| 40 | 0999040.ZXN |
| 50 | 0999050.ZXN |
| 60 | 0999060.ZXN |
| 70 | 0999070.ZXN |
| 80 | 0999080.ZXN |

| LTR | DATE | REVISION | DRW |
|-----|-----------|-----------------------------|-----|
| A | 01/FEB/23 | 526135GCA - INITIAL RELEASE | OPL |
| | | | |
| | | | |



ISOMETRIC VIEW

| MAXI 58V | | | | | | |
|--------------------|---|--------|----------|-----------|--------|-------|
| TERMINAL MATERIAL: | ZINC ALLOY | | | | | |
| TERMINAL PLATING: | SILVER | | | | | |
| HOUSING MATERIAL: | PA66 (U.L. 94 FLAMMABILITY RATING V-2) | | | | | |
| LINEAR DIMENSIONS | | | | | ANGLES | RADII |
| DIM | .5 - 6 | 6 - 30 | 30 - 120 | 120 - 400 | ±0.5° | ±0.2 |
| TOL | ±0.1 | ±0.2 | ±0.3 | ±0.5 | | |



REVISION
A

DRWG. NO.
WEB-0999000.ZXN