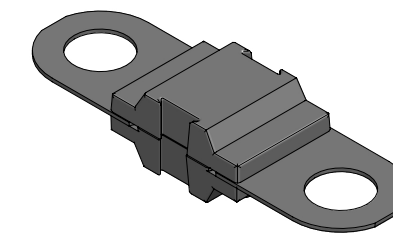
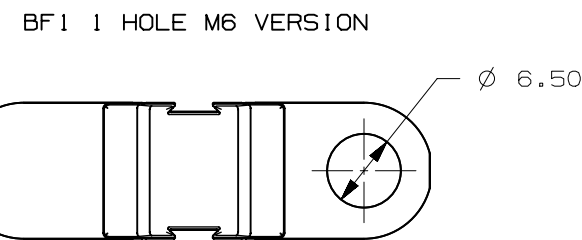
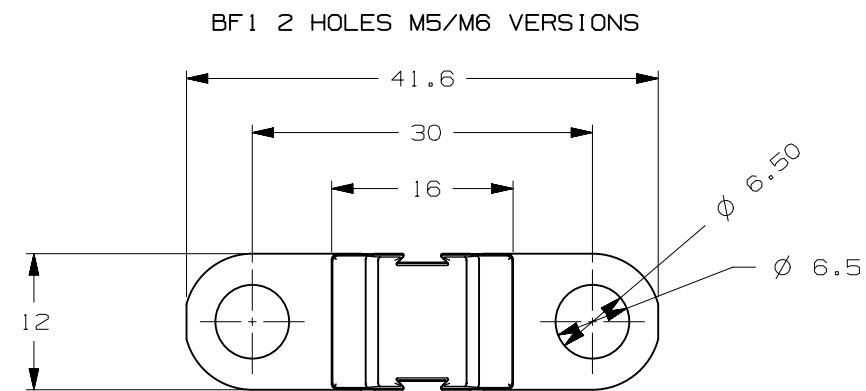
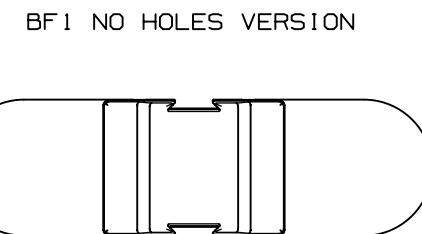
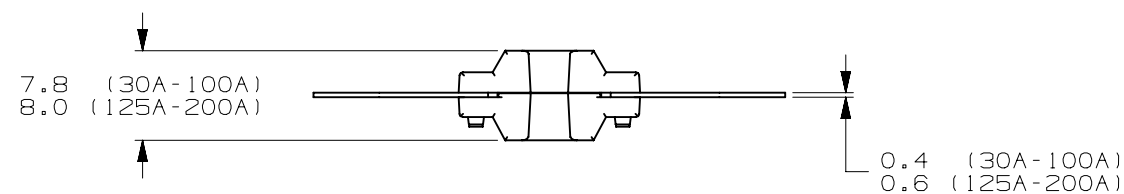


CURRENT RATE [ A ]	VERSIONS AND PART NUMBERS			
	M6 2 HOLES	M5 2 HOLES	M6 1 HOLE	NO HOLES
23	-	153.5631.5231	-	-
30	153.7010.5301	153.5631.5301	-	153.0020.5301
40	153.7010.5401	153.5631.5401	-	153.0020.5401
50	153.7010.5501	153.5631.5501	-	153.0020.5501
60	153.7010.5601	153.5631.5601	153.0010.5601	153.0020.5601
70	153.7010.5701	153.5631.5701	153.0010.5701	153.0020.5701
80	153.7010.5801	153.5631.5801	153.0010.5801	153.0020.5801
100	153.7010.6101	153.5631.6101	153.0010.6101	153.0020.6101
125	153.7010.6121	153.5631.6121	-	153.0020.6121
150	153.7010.6151	153.5631.6151	-	153.0020.6151
200	-	153.5631.6201	-	153.0020.6201

LTR	DATE	REVISION	DRW
A	01/FEB/23	526136GCA - INITIAL RELEASE	OPL



ISOMETRIC VIEW



BF1 32V					
TERMINAL MATERIAL:	COPPER ALLOY				
TERMINAL PLATING:	TIN				
HOUSING MATERIAL:	PET-GF33 (U.L. 94 FLAMMABILITY RATING - V0)				
CLEAR TOP HOUSING MATERIAL:	PES (U.L. 94 FLAMMABILITY RATING - V0)				
LINEAR DIMENSIONS				ANGLES	RADII
DIM	.5 - 6	6 - 30	30 - 120	120 - 400	±0.5°
TOL	±0.1	±0.2	±0.3	±0.5	
3RD ANGLE PROJECTION		Littelfuse®		REVISION	DRWG. NO.
		CHICAGO, USA 773-628-1000		A	WEB-153.0000.0000